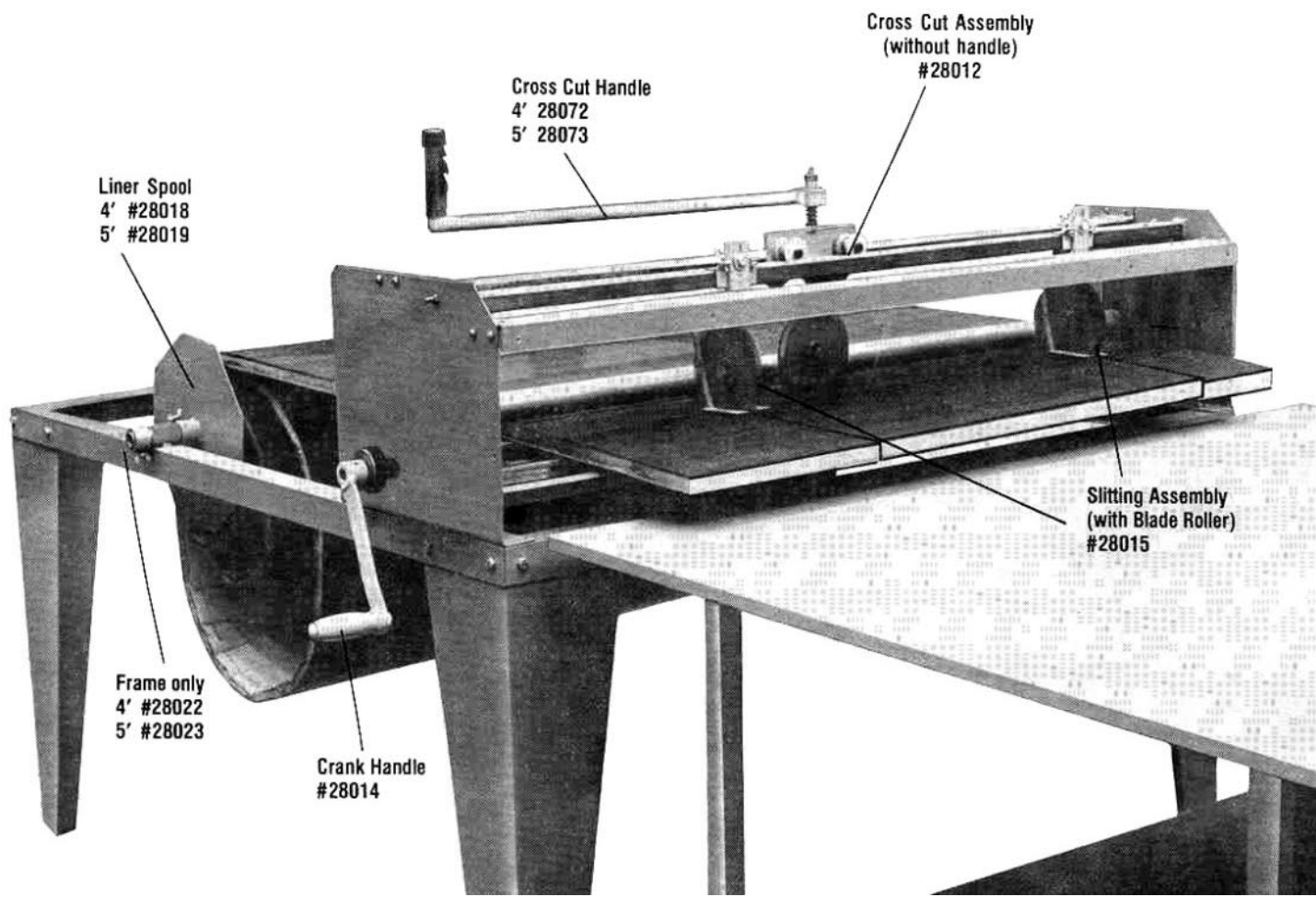
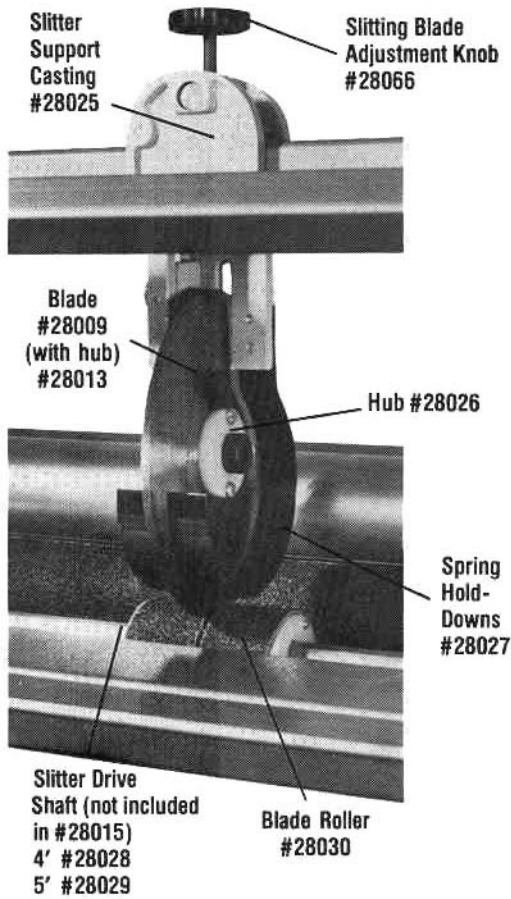


Duro Dyne Specification Bulletin

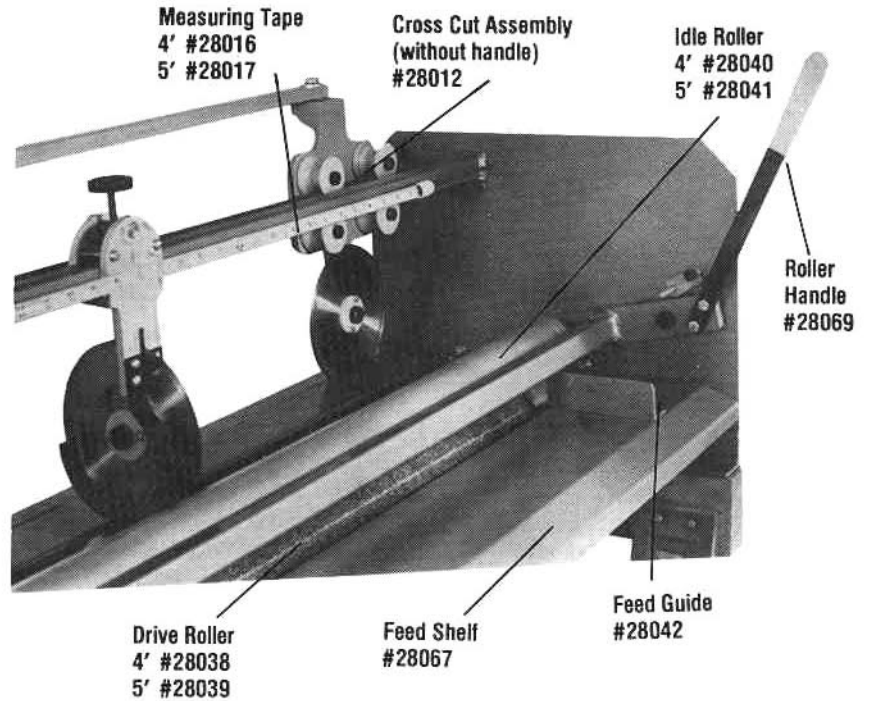
LS PARTS LISTING			
IBM #	DESCRIPTION	IBM #	DESCRIPTION
LS-4 (4')	LS-5 (5')	LS-4 (4')	LS-5 (5')
28008	28007 Cutting Head	28030	28030 Blade Roller
28009	28009 Blade	28031	28031 12" Octagon Collar
28012	28012 Cross Cut Assembly (Without handle)	28032	28033 Pipe
28013	28013 Blade with Hub	28038	28039 Drive Roller
28014	28014 Crank Handle	28040	28041 Idler Roller
28015	28015 Slitting Assembly with Blade Roller	28042	28042 Feed Guide
28016	28017 Measuring Tape	28043	28043 Locking Thumbscrew
28018	28019 Liner Spool	28047	28047 Handle Grip
28022	28023 Frame Only	28066	28066 Adjustment Knob
28025	28025 Slitter Support Casting	28067	28068 Feed Shelf
28026	28026 Blade Hub	28069	28069 Roller Handle
28027	28027 Spring Hold Downs	28070	28070 Sprockets
28028	28029 Slitter Drive Shaft	28071	28071 Chain
		28072	28073 Cross Cut Handle



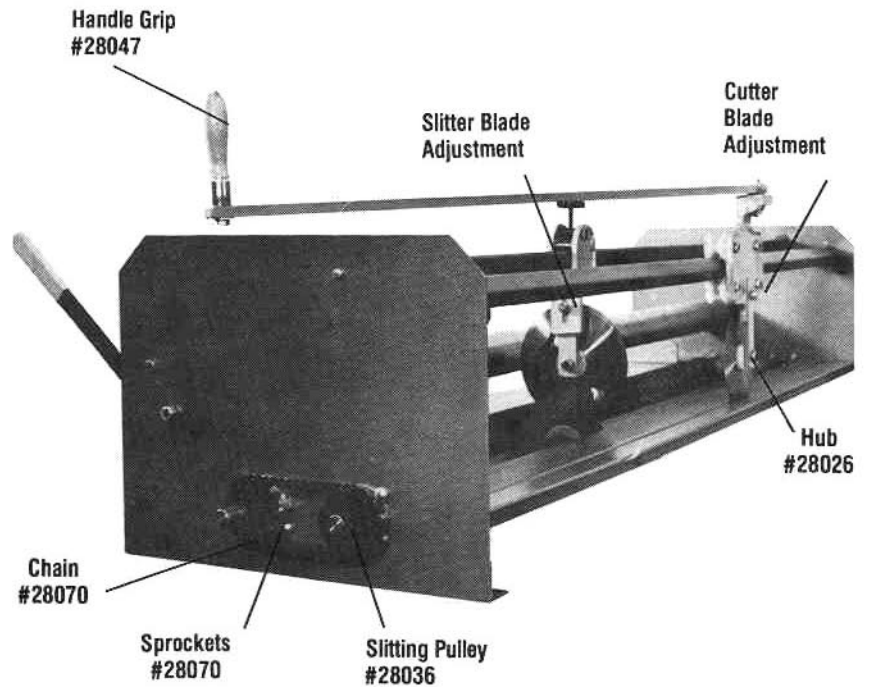
**SLITTING ASSEMBLY
(WITH BLADE ROLLER)
#28015**



CUTTING HEAD (TOP VIEW)

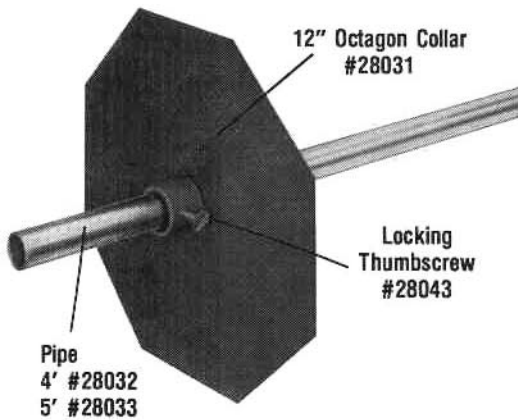


CUTTING HEAD (SIDE VIEW)



LINER SPOOL

4' #28018 5' #28019



DURO DYNE MACHINERY DIVISION

Duro Dyne East Division, Farmingdale, N.Y. 11735
 Duro Dyne Midwest Division, Fairfield, OH 45011
 Duro Dyne West Division, Santa Fe Springs, CA 90670
 Duro Dyne Canada, Lachine, P.Q. H8T 1B3

Phone: 631-249-9000
 Phone: 513-870-6000
 Phone: 562-926-1774
 Phone: 514-422-9760