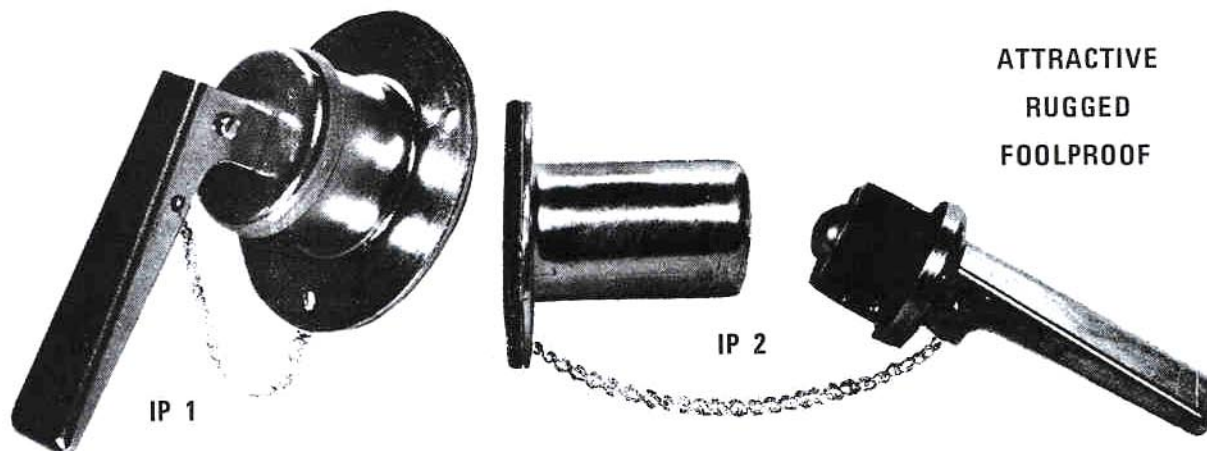
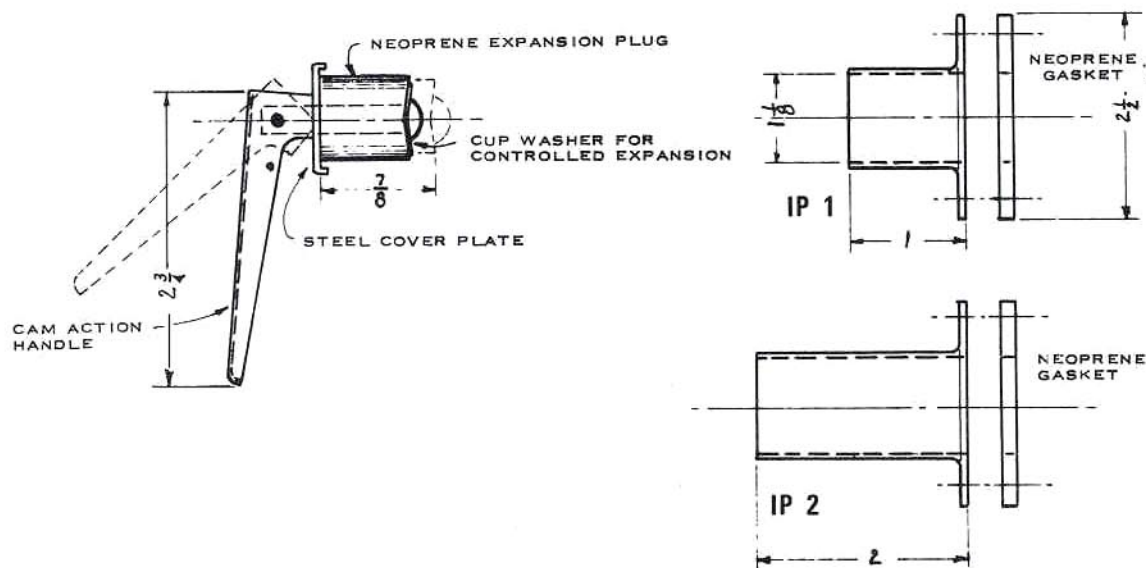


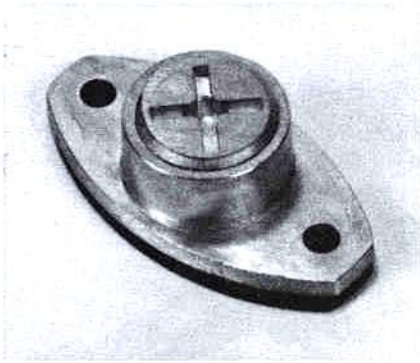
DURO DYNE INSTRUMENT TEST PORT has been engineered to fill the need for a Quality Fitting which can be used with complete confidence. The Cam-Action Handle is a positive locking device which is quickly removed and replaced. The Neoprene Expansion Plug is unaffected by most chemicals, grease, etc. and can withstand temperatures to 180°F.



- Heavy Duty 16 Gauge Steel Construction, Zinc-Plated Throughout.
- Convenient, Instant Release Cam-Action Handle.
- Neoprene Expansion Plug Resists Pull in Excess of 40 lbs. When Closed.
- Leakproof. Designed for High Velocity Systems.
- Two Models to Accommodate 1" and 2" Insulating Material.
- Handles any Instrument – 1-1/8" Inside Diameter.
- Three Mounting Holes for 3/16" Blind Rivets, Bolts, Screws, etc.
- Chain Prevents Loss of Handle Fitting.
- Flat Neoprene Mounting Gasket Supplied.

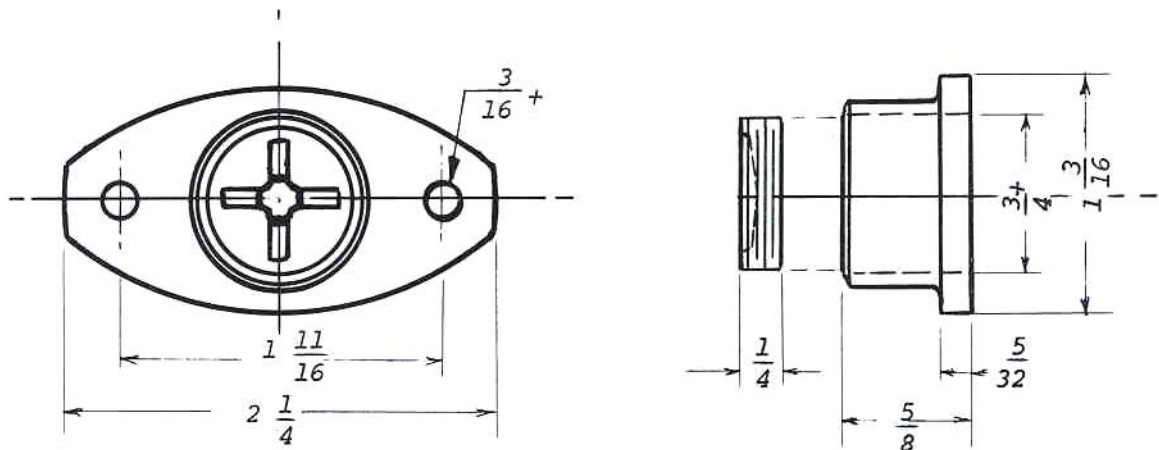


### IP-4



This new, handy Test Port has been designed and produced by Duro Dyne to answer the many requests for a moderately-priced fitting to be used where the superior features of the IP-1 are not required. It offers a 3/4" diameter access to the air stream through a zamac alloy casting set on a neoprene gasket. The screw-in cap is readily removed using a standard screwdriver or 25¢ coin.

- Economical
- 3/4" diameter opening - adequate for Pitot Tube or Velometer.
- Neoprene gasket reduces leakage\*
- Screw-in cap for easy access to air-stream
- Zamac alloy casting for durability and appearance
- Mount with No. 10 x 1/2 Drill Screw or No. SS-66 Pin Rivet



\* NOTE: Whereas the IP-1/IP-2 is "LEAKPROOF" and may be used in High Velocity systems, most test ports are not. In order to render the IP-4 leakproof it is suggested that a dab of pipe-sealing compound be placed on the plug thread after final balancing.