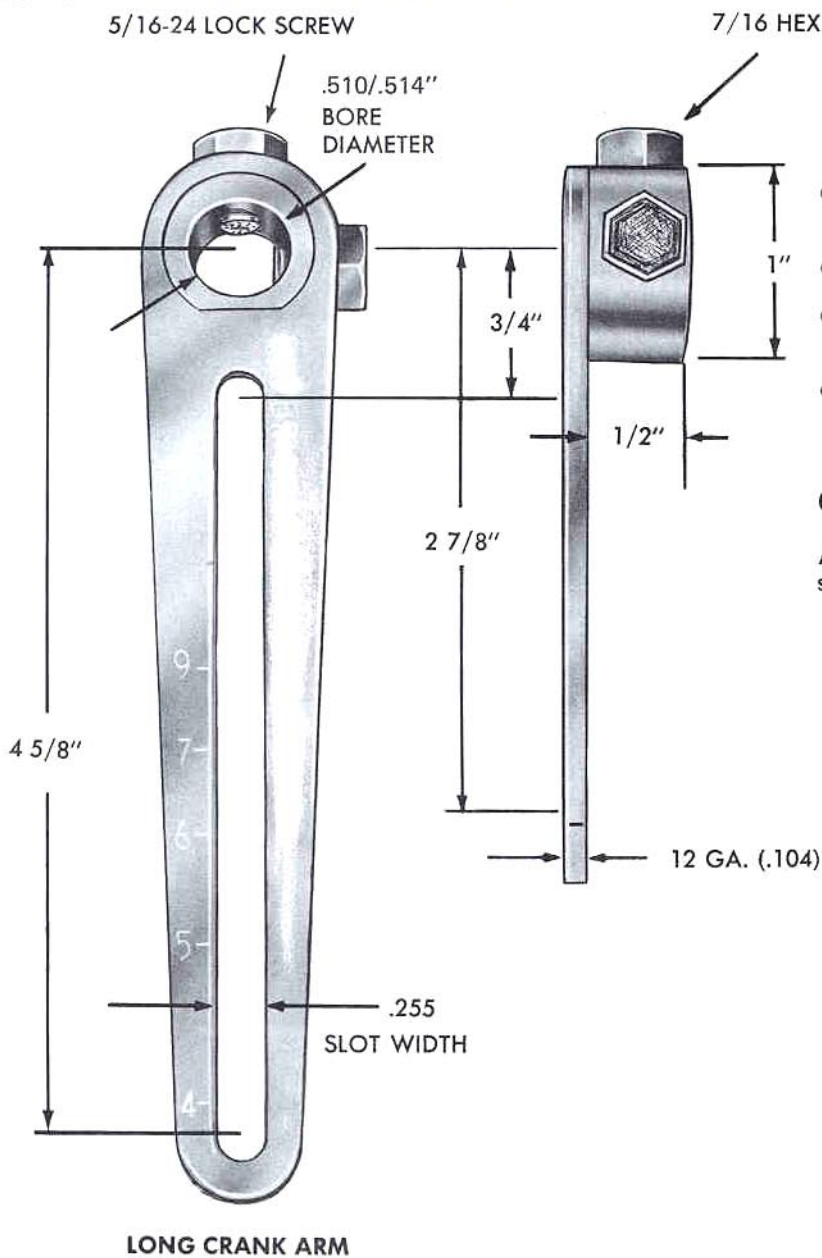


DAMPER CRANK ARM and CONTROL SWIVEL



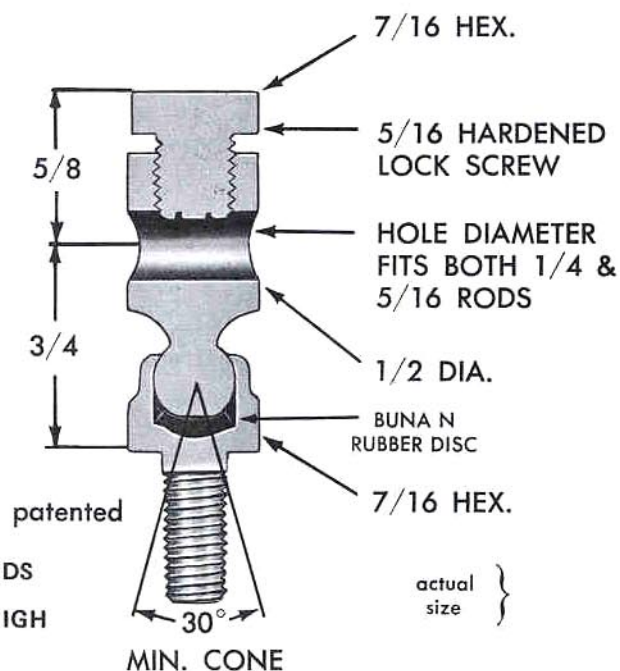
7/16 HEX.

- ALL STEEL CONSTRUCTION FOR MAXIMUM STRENGTH.
- ZINC PLATED FOR CORROSION RESISTANCE.
- SPECIAL HARDENED LOCK SCREWS WILL NOT VIBRATE LOOSE.
- STAMPED SCALE ALLOWS PRECISE ADJUSTMENT OF LINKAGE SWIVEL.

CODE NO. DCA-12 - LONG CRANK ARM

Available in shorter length and to fit 3/8" or 7/16" shafts on special order.

- FOR USE WITH 5/16" or 1/4" CONNECTING RODS
- PATENTED SELF-LOCKING SET SCREW FOR HIGH HOLDING POWER.
- RUGGED STEEL CONSTRUCTION PLATED TO RESIST CORROSION.
- LUBRICATED BALL CAVITY FOR BETTER WEAR RESISTANCE.



CODE NO. DCS-516