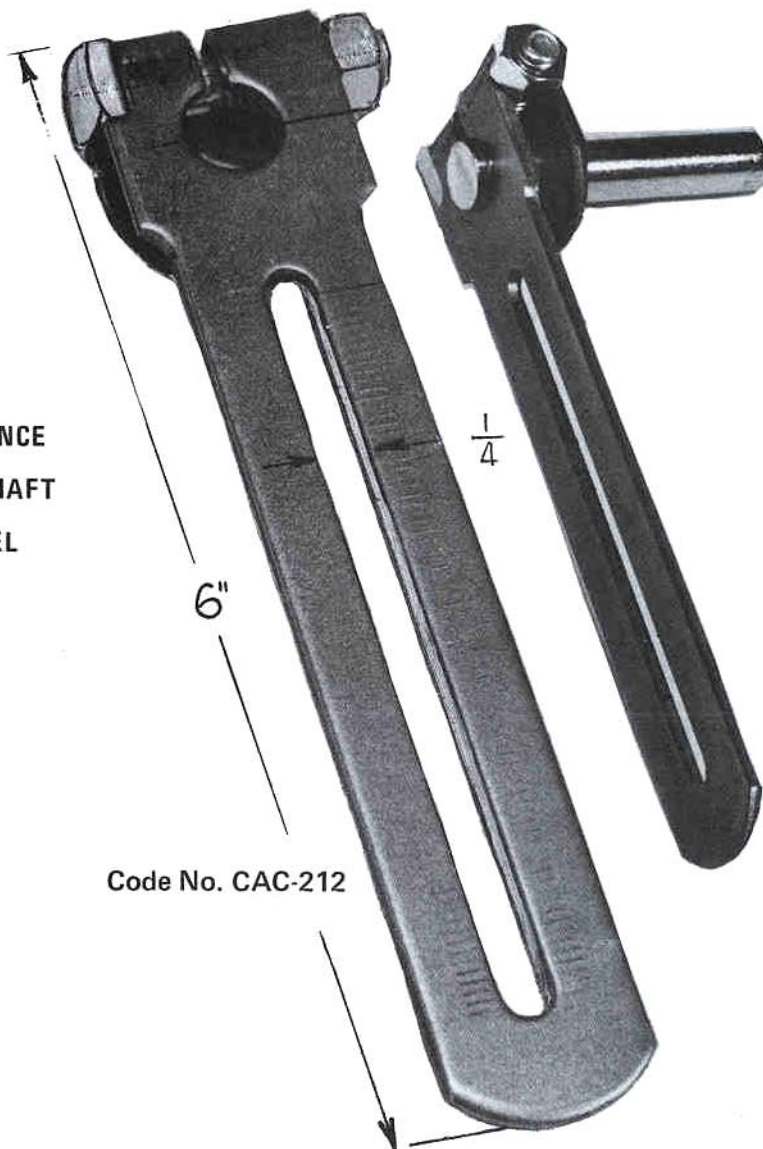
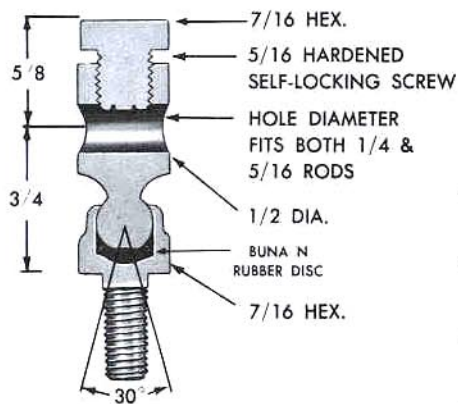


## DAMPER CRANK ARM and CONTROL SWIVEL

- RELIABLE AND ECONOMICAL
- HEAVY GAUGE (.125") STEEL STAMPING
- ZINC PLATED FOR CORROSION RESISTANCE
- POSITIVE CLAMPING ACTION ON 1/2" SHAFT
- ACCOMODATES DCS 516 CONTROL SWIVEL



Code No. CAC-212



Code No. DCS-516

- FOR USE WITH 5/16" or 1/4" CONNECTING RODS.
- PATENTED SELF-LOCKING SET SCREW FOR HIGH HOLDING POWER.
- RUGGED STEEL CONSTRUCTION PLATED TO RESIST CORROSION.
- LUBRICATED BALL CAVITY FOR BETTER WEAR RESISTANCE.