

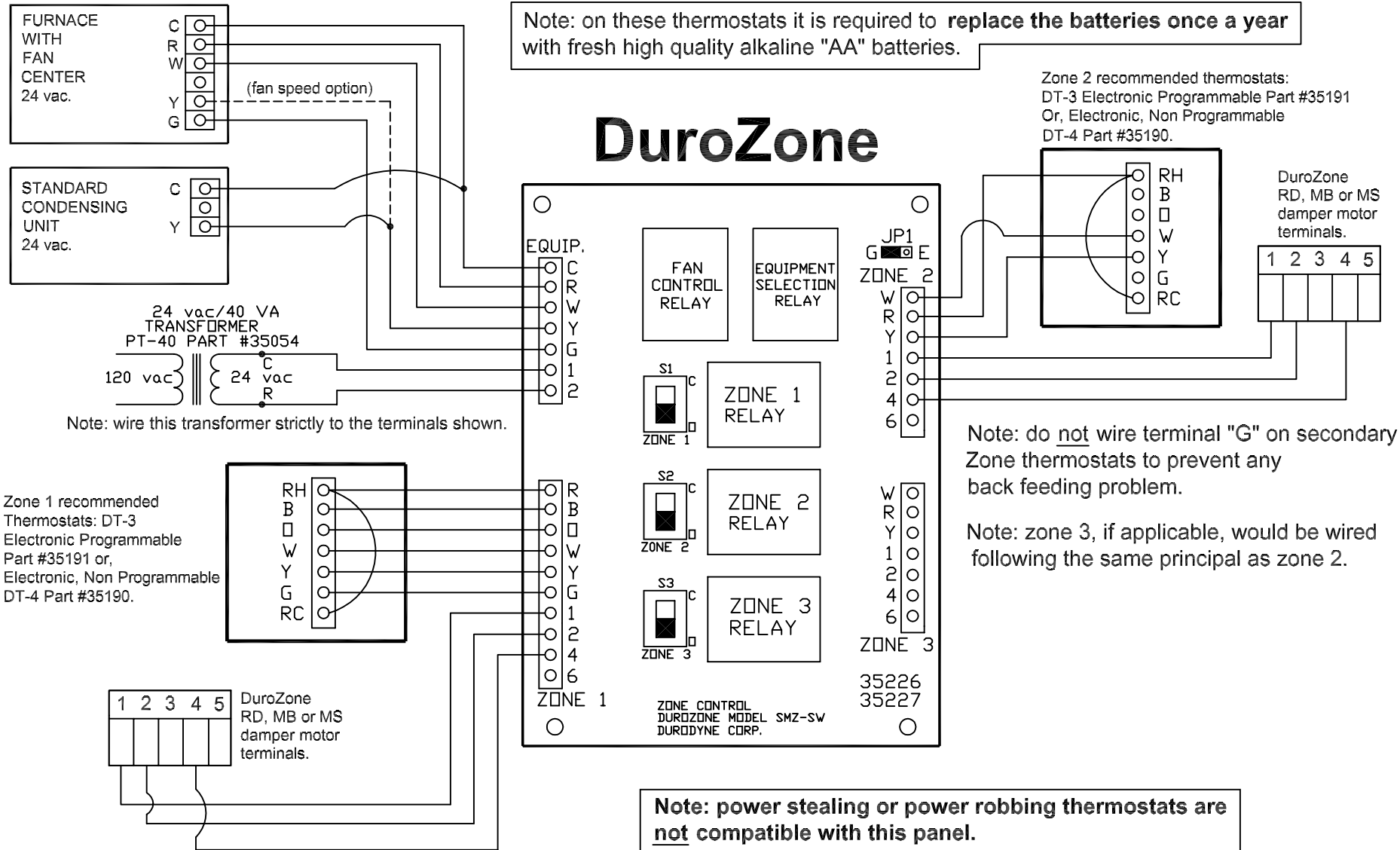
# DuroZone SMZ-2SW Part #35226 & SMZ-3SW Part #35227 Typical Wiring Diagram For Battery Operated, (not used just as a back up), Thermostats.

Note: as long as the master thermostat is in the **heat** mode, it's "B" terminal must be energized to keep the board in the **heat** logic. The reverse is as follows, as long as the master thermostat is in the **cool** mode, it's "O" terminal must be energized to keep the board in the **cooling** logic.

Note on Zone damper switches: these switches are active only when the board is at REST. It is recommended to leave at least ONE damper switch in the **OPEN** POSITION in order to eliminate the residual heat from the furnace **once the call for heat has been satisfied**.

Note: on these thermostats it is required to **replace the batteries once a year** with fresh high quality alkaline "AA" batteries.

Zone 2 recommended thermostats:  
DT-3 Electronic Programmable Part #35191  
Or, Electronic, Non Programmable  
DT-4 Part #35190.



Note: wire this transformer strictly to the terminals shown.

Note: do not wire terminal "G" on secondary Zone thermostats to prevent any back feeding problem.

Note: zone 3, if applicable, would be wired following the same principal as zone 2.

Note: **power stealing or power robbing thermostats are not compatible with this panel.**

Note: these panels, SMZ-2SW & SMZ-3SW are designed to control a STANDARD FURNACE &/or a STANDARD AIR CONDITIONING UNIT.

THIS DRAWING IS A GUIDE. READING ALL INSTRUCTIONS IS RECOMMENDED.